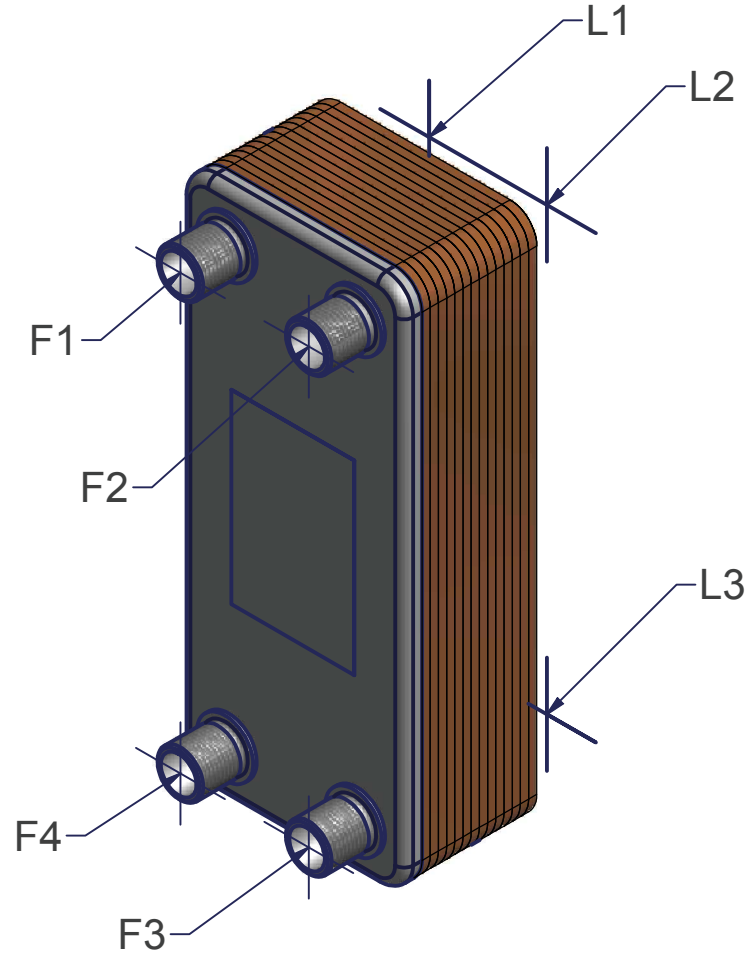
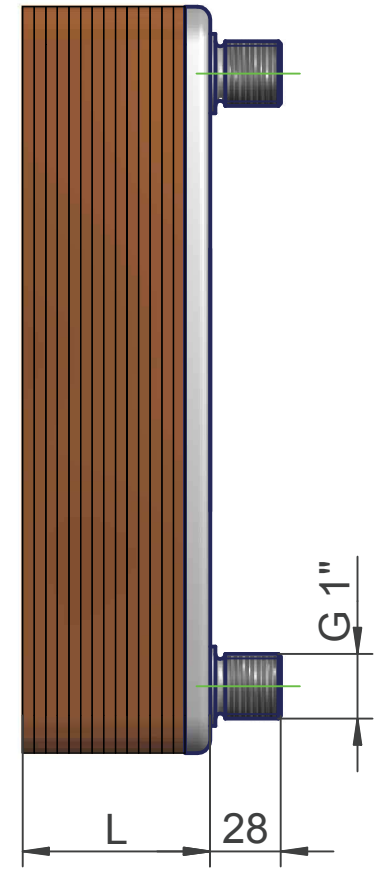
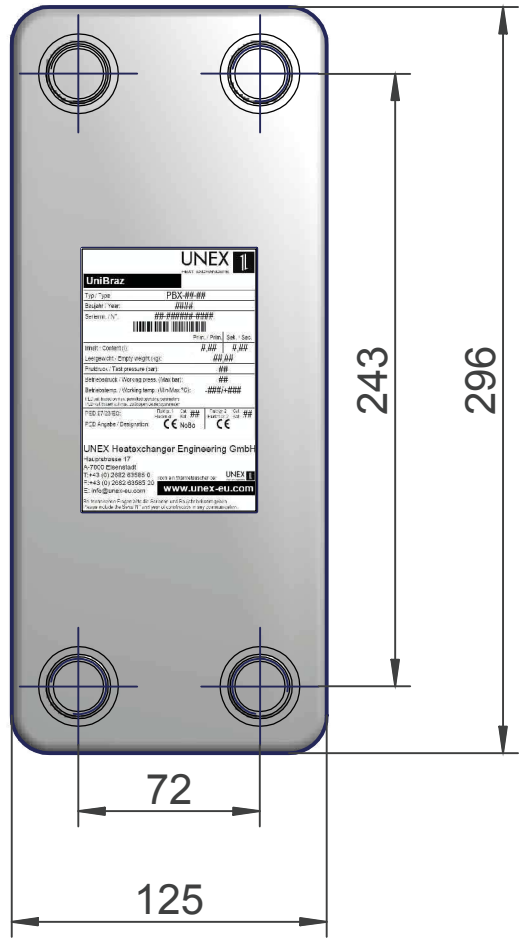


Side 1 Side 2



Exchanger connection options	
Standard	G 1" - 28mm long
Alternative	G5/4", HEX, Solder
Other	On request
Additional	On rear positions L1 to L4
Studs & Bolts	On request

Insulation options	Example picture
Aluminium coated PU foam Heating applications to +150°C (peak)	
Self-adhesive rubberised Cooling applications -50 to +105°C	
Easy-fit shell Heating applications to +135°C	
PROTEX pre-insulated Heating & cooling applications -50 to +150°C (peak)	

Mounting options	Example picture
Wall Connection Set Simple, compact & professional mount using the exchanger connections	
Angled Wall Bracket "L" bracket including strap & screws	

Detachable pipe connection options	Example picture
VER 20 From G1" to DN20 weld (2 pcs/set)	
VER 22 From G1" to 22 mm solder (2 pcs/set)	
VER 3/4 From G1" to 3/4" thread (2 pcs/set)	
VEROR1 From G1" to 1" thread - reduction-free (2 pcs/set)	

Amount of plates	10	14	20	24	30	34	40	44	50	60	70	80	90	100	110	120	130	140	150	
Volume Side 1 (l)*	0.26	0.38	0.58	0.70	0.90	1.02	1.22	1.34	1.54	1.86	2.18	2.50	2.82	3.14	3.46	3.78	4.10	4.42	4.74	
Volume Side 2 (l)*	0.32	0.45	0.64	0.77	0.96	1.09	1.28	1.41	1.60	1.92	2.24	2.56	2.88	3.20	3.52	3.84	4.16	4.48	4.80	
Max working pressure (bar)	30																			
Min / Max temperature (°C)	-195 / +195																			
PED Class Group 2 (Category)	SEP										I									
Plate packet depth L(mm)*	32.0	41.2	55.0	64.2	78.0	87.2	101.0	110.2	124.0	147.0	170.0	193.0	216.0	239.0	262.0	285.0	308.0	331.0	354.0	
Net Weight Empty (kg)	2.6	3.1	3.8	4.2	4.9	5.3	6.0	6.4	7.1	8.2	9.4	10.5	11.6	12.7	13.8	15.0	16.1	17.2	18.3	
Heat Transfer Area (m²)	0.32	0.48	0.72	0.88	1.12	1.28	1.52	1.68	1.92	2.32	2.72	3.12	3.52	3.92	4.32	4.72	5.12	5.52	5.92	

Where appropriate the following European standards and regulations were used during design and construction:

97/23/EC (Pressure Equipment Directive) EN 13445 (Unfired Pressure Vessels)
 EN 1148 (Water to water heat exchangers for district heating) ISO 2768-m (General tolerances class "m")
 EN 10272 (Stainless steel bars used for pressure purposes) ISO 228-1 ("G" Thread BSP parallel)
 EN 10028-7 (Stainless steel flat products used for pressure purposes)
 Please ask your sales partner if you require other standards or certification to be applied.

©2014 Errors, Omissions and Technical Alterations excepted
 Material : 1.4301 (304) / 1.4404 (316L) / Cu 99.9% Size in mm

	UNEX Heatexchanger Engineering GmbH Hauptstrasse 17 A-7000 Eisenstadt Austria	www.unex-eu.com info@unex-eu.com Tel: + 43 (0) 2682 635 85 0 Fax: + 43 (0) 2682 635 85 20	Scale M 1:3 (A3)
	Date Name Drawn by 12.08.2014 MPI Checked by 09.10.2014 DRO		

* Calculated values (final tolerance to ISO 2768-m)

Status	Change	Date	Name

PBU10_STD_14_Rev00