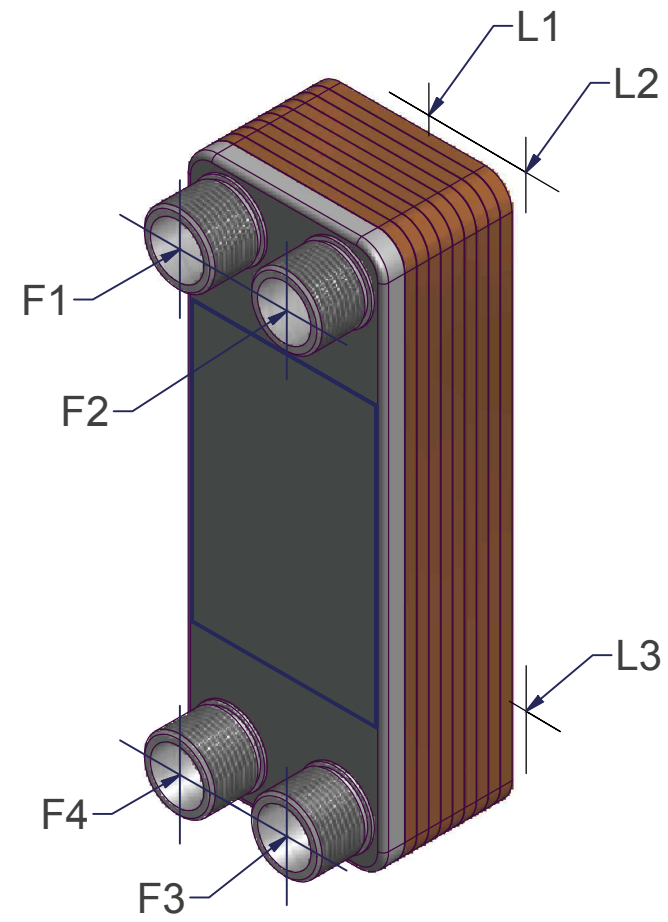
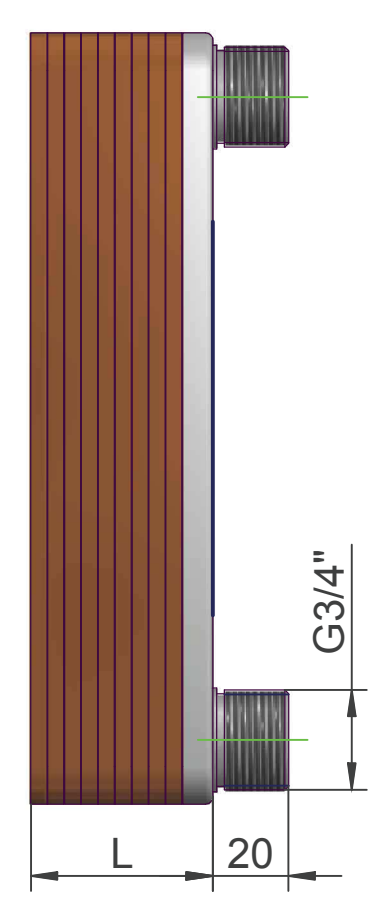


Side 1 Side 2



**UNEX**  
HEAT EXCHANGERS  
**UniBraz**  
Type: PBX ###  
Serial: ###  
Serial: N°: ###  
Print: ### Sek: ###  
Inhalt / Content (l): ###  
Leergewicht / Empty weight (kg): ###  
Prüfdruck / Test pressure (bar): ###  
Betriebsdruck / Working press. (Max bar): ###  
Betriebs-temp. / Working temp. (Max °C): ###  
PED 97/23/EC: ###  
PED Angabe / Designation: CE NoBo CE

UNEX Heatexchanger Engineering GmbH  
Hauptstrasse 17  
A-7000 Eisenstadt  
T: +43 (0) 2682 63585 0  
F: +43 (0) 2682 63585 20  
E: info@unex-eu.com  
www.unex-eu.com



Exchanger connection options	
<b>Standard</b>	G 3/4" - 20mm long
<b>Alternative</b>	G 1/2", Solder
<b>Other</b>	On request
<b>Additional</b>	On rear positions L1 to L4
<b>Studs &amp; Bolts</b>	On request

Insulation options	Example picture
<b>Aluminium coated PU foam</b> Heating applications to +150°C (Peak)	
<b>Self-adhesive rubberised</b> Cooling applications -50 to +105°C	

Mounting options	Example picture
<b>Angled Wall Bracket</b> "L" bracket including strap & screws	

Detachable pipe connection options	Example picture
<b>VER15</b> From G3/4" to DN15 weld (2 pcs/set)	
<b>VER18</b> From G3/4" to 18mm solder (2 pcs/set)	
<b>VER1/2</b> From G3/4" to 1/2" thread (2 pcs/set)	

Amount of plates	10	14	20	24	30	34	40	44	50
Volume Side 1 (l)*	0.10	0.15	0.23	0.28	0.35	0.40	0.48	0.53	0.60
Volume Side 2 (l)*	0.13	0.18	0.25	0.30	0.38	0.43	0.50	0.55	0.63
Max working pressure (bar)	30								
Min / Max temperature (°C)	-0/+200								
PED Class Group 1 (Category)	SEP								
PED Class Group 2 (Category)	SEP								
Plate packet depth L(mm)*	30.3	39.2	52.6	61.5	74.9	83.8	97.2	106.1	119.5
Net Weight Empty (kg)	1.20	1.40	1.70	1.90	2.20	2.40	2.70	2.90	3.20
Heat Transfer Area (m²)	0.11	0.17	0.25	0.31	0.39	0.44	0.53	0.58	0.67

**Where appropriate the following European standards and regulations were used during design and construction:**

97/23/EC (Pressure Equipment Directive)  
 EN 1148 (Water to water heat exchangers for district heating)  
 EN 10272 (Stainless steel bars used for pressure purposes)  
 EN 10028-7 (Stainless steel flat products used for pressure purposes)  
 Please ask your sales partner if you require other standards or certification to be applied.

EN 13445 (Unfired Pressure Vessels )  
 ISO 2768-m (General tolerances class "m")  
 ISO 228-1 ("G" Thread BSP parallel)

©2014 Errors, Omissions and Technical Alterations excepted

Material : 1.4301 (304) / 1.4404 (316L) / Cu 99.9%  
 Cu-Free version also available

	UNEX Heatexchanger Engineering GmbH Hauptstrasse 17 A-7000 Eisenstadt Austria	www.unex-eu.com info@unex-eu.com Tel: + 43 (0) 2682 635 85 0 Fax: + 43 (0) 2682 635 85 20	<b>Scale</b> <b>M 1:2 (A3)</b>
	Date Name Drawn by 12.08.2014 MPI Checked by 09.10.2014 DRO		<b>PB4_STD_14_Rev00</b>
Status Change Date Name			

\* Calculated values (final tolerance to ISO 2768-m)